

CVEV

VERTICAL, CENTRIFUGAL, MULTI-STAGE PUMPS

APPLICATION

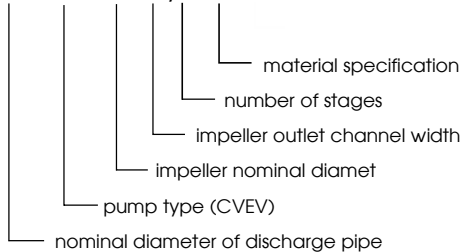
- for water supply systems and pumping from water wells
- industrial utility water supply
- auxiliary technological applications
- for pumping condensate, cooling water, etc.

WORKING CONDITIONS

- for pumping drinking and utility water
- max. contents of impurities: 5g/l of water, max. particle size: 0.5 mm
- medium temperature up to +60°C

TYPE IDENTIFICATION

200-CVEV-350-23/2 - LU



SEAL DESIGN

- soft cord packing, non-flooded

MOTORS

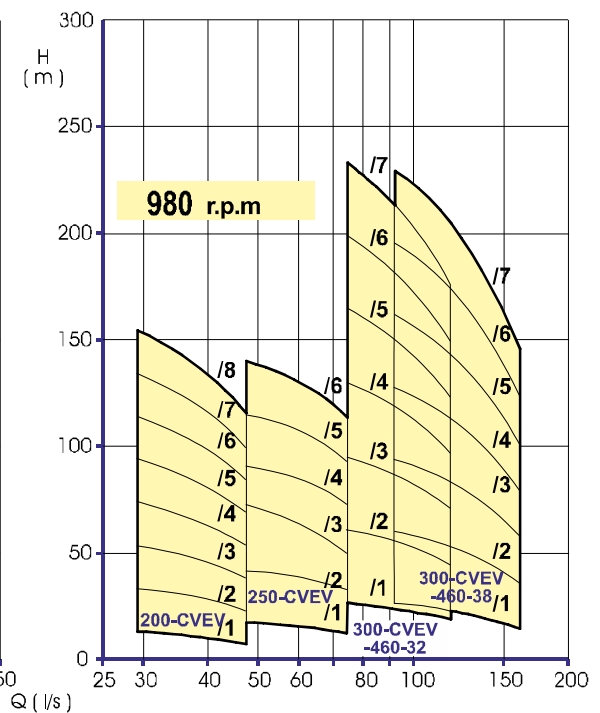
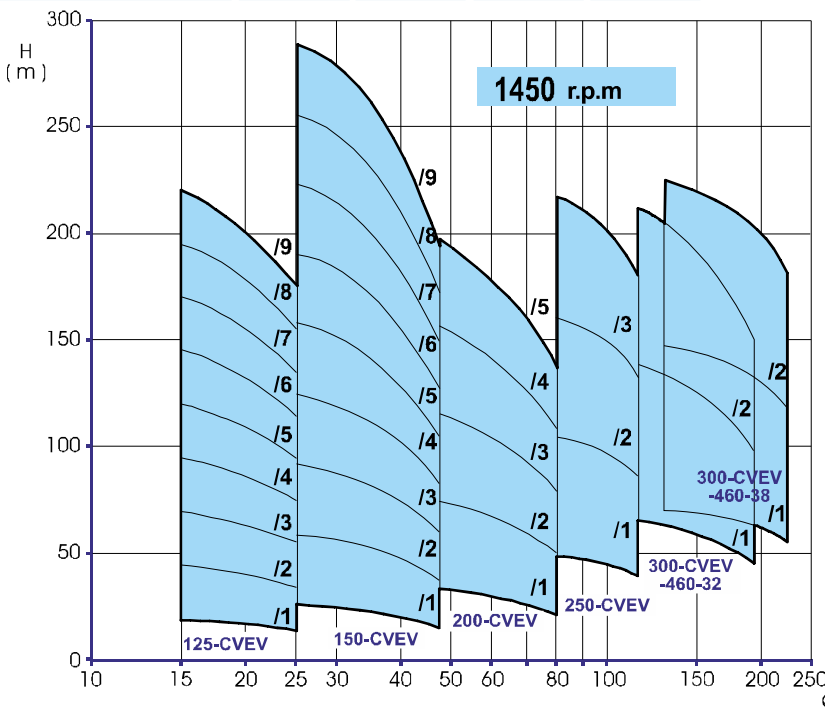
- flange-mounted electric motor drive
- driving force transmitted using a flexible coupling

WORKING AREA

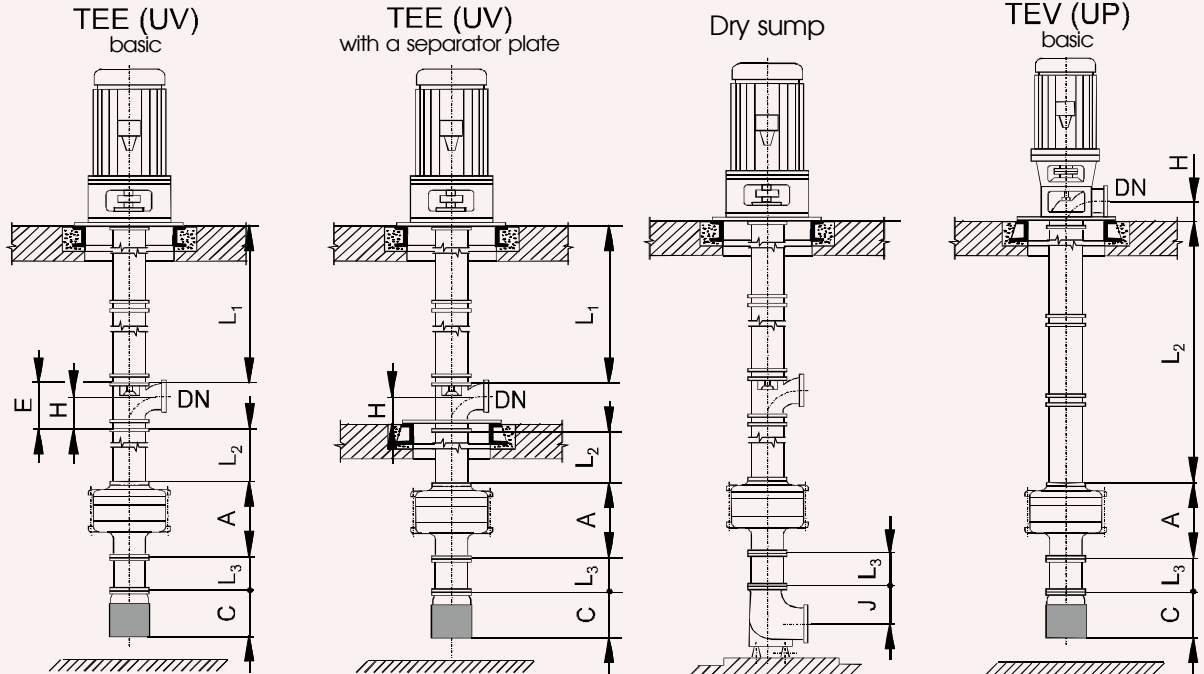
PUMP SIZE	SHAFT SPEED (r.p.m.)	FLOW Q (l/s)	DELIVERY HEAD H (m)	TEMPERATURE MAX. (°C)
from 125-CVEV-265 to 300-CVEV-460	from 980 to 1450	from 17 to 205	from 16 to 236	60

MATERIAL SPECIFICATION

Part name	LN	LU
suction body	EN-GJL-250	EN-GJL-250
impeller body	EN-GJL-250	EN-GJL-250
discharge body	EN-GJL-250	EN-GJL-250
transducer	EN-GJL-250	EN-GJL-250
diffuser	EN-GJL-250	EN-GJL-250
impeller	EN-GJL-200	X20Cr14 (DIN)
seal ring	EN-GJL-200	3346-HM
shaft	1.0503	1.0503



CVEV

BASIC DIMENSIONS


Size	Number of stages	PN	1450/980	DN	Pump dimensions						
					A	L1 _{min/max}	L2 _{min/max}	E	H	L3 _{min/max}	C
125-CVEV-265	1	10/ -	125	315	970/12970	1000/4500	400	220	250/1500	290	225
	2	10/ -	125	400	970/12970	1000/4500	400	220	250/1500	290	225
	3	10/ -	125	485	970/12970	1000/4500	400	220	250/1500	290	225
	4	10/ -	125	570	970/12970	1000/4500	400	220	250/1500	290	225
	5	16/ -	125	655	970/12970	1000/4500	400	220	250/1500	290	225
	6	16/ -	125	740	970/12970	1000/4500	400	220	250/1500	290	225
	7	16/ -	125	825	970/12970	1000/4500	400	220	250/1500	290	225
	8	25/ -	125	910	970/12970	1000/4500	400	220	250/1500	290	225
	9	25/ -	125	995	970/12970	1000/4500	400	220	250/1500	290	225
150-CVEV-305	1	10/ -	150	370	970/12970	1000/4500	450	250	250/1500	370	250
	2	10/ -	150	470	970/12970	1000/4500	450	250	250/1500	370	250
	3	10/ -	150	570	970/12970	1000/4500	450	250	250/1500	370	250
	4	16/ -	150	670	970/12970	1000/4500	450	250	250/1500	370	250
	5	16/ -	150	770	970/12970	1000/4500	450	250	250/1500	370	250
	6	16/ -	150	870	970/12970	1000/4500	450	250	250/1500	370	250
	7	25/ -	150	970	970/12970	1000/4500	450	250	250/1500	370	250
	8	25/ -	150	1070	970/12970	1000/4500	450	250	250/1500	370	250
	9	25/ -	150	1170	970/12970	1000/4500	450	250	250/1500	370	250
200-CVEV-350	1	10/10	200	400	965/12965	1000/4500	490	290	250/1500	450	300
	2	10/10	200	515	965/12965	1000/4500	490	290	250/1500	450	300
	3	16/10	200	630	965/12965	1000/4500	490	290	250/1500	450	300
	4	16/10	200	745	965/12965	1000/4500	490	290	250/1500	450	300
	5	- /10	200	860	965/12965	1000/4500	490	290	250/1500	450	300
250-CVEV-400	1	10/10	250	450	960/12960	1000/4500	590	340	250/1500	500	350
	2	16/10	250	590	960/12960	1000/4500	590	340	250/1500	500	350
	3	16/10	250	730	960/12960	1000/4500	590	340	250/1500	500	350
	4	- /16	250	870	960/12960	1000/4500	590	340	250/1500	500	350
	5	- /16	250	1010	960/12960	1000/4500	590	340	250/1500	500	350
	6	- /16	250	1150	960/12960	1000/4500	590	340	250/1500	500	350
300-CVEV-400	1	10/10	300	550	955/12955	1000/4500	700	400	250/1500	670	400
	2	16/10	300	725	955/12955	1000/4500	700	400	250/1500	670	400
	3	- /16	300	900	955/12955	1000/4500	700	400	250/1500	670	400
	4	- /16	300	1075	955/12955	1000/4500	700	400	250/1500	670	400
	5	- /25	300	1250	955/12955	1000/4500	700	400	250/1500	670	400
	6	- /25	300	1425	955/12955	1000/4500	700	400	250/1500	670	400
	7	- /25	300	1600	955/12955	1000/4500	700	400	250/1500	670	400

CROSS-SECTION DRAWING
